

- ANSI C12.18, C12.19 & C12.20 Compliant
- Utilizes Current Transformer(s) for Measurement
- Uses Vision 20/20 Software for Programming (included with the purchase of meters no charge)
- Shipped with Accuracy better than +/- 0.15%
- Designed for 20 Year Life
- Battery options for Display, NV Ram, and Clock
- Standard Delivered, Received & Net Metering
- Instantaneous KW Available under Kwh Display
- No exposed metal parts (when installed)
- Magnetically Shielded option available



**Standard Version**



**Vision XT Version**

At Vision Metering, customer input has dictated the specifications upon which our meters were designed and manufactured. Our meters continue to evolve based on the expectations of our customers.

The Standard Vision and Vision XT platforms have, TOU and Load Profile included at no charge. You simply turn it on in the 20/20 Software and program the meter.

Our XT version was designed to accommodate all metering forms and provide a platform for third party AMR/AMI manufacturers to add their communications card to our meter.

Magnetically shielded versions of both our Vision ST and XT platforms are available. These shielded versions maintain standard accuracy when exposed to magnetic fields up to 14,000 gauss.

	TOU	Load Profile	Data On Demand	L+G Airpoint	NexGrid AMI	Bi-Directional	Display Battery	Output Pulses
Vision LT	No	No	Option	Option	No	Yes	Option	No
Vision	Yes	Yes	Option	Option	No	Yes	Option	Option
Vision XT	Yes	Yes	Option	Option	Yes	Yes	Option	Option

## Specifications

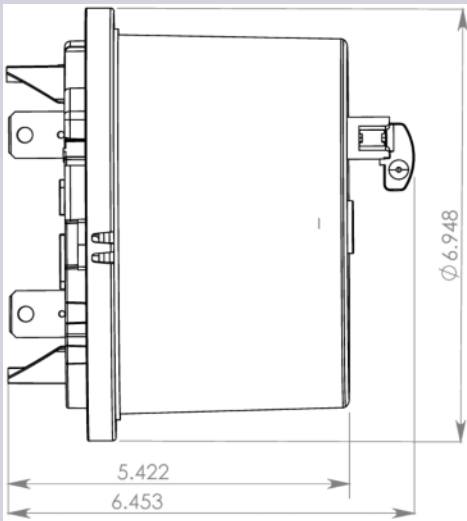


**Vision XT**



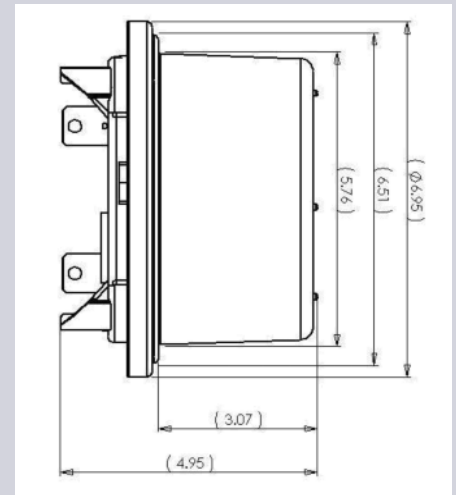
**Vision & Vision LT**

- 40 to + 85 Degrees Celsius Operating Temp
- 5% to 95% Humidity Non-Condensing
- Complies with ANSI C 12.1, C12.10, C12.18 C12.19, C12.20, C37.90.1
- Accuracy +/- 0.2%
- Starting Watts < 5 watts 0.02A at 240 VAC
- Utilizes Current Transformer(s) for current sensing
- 120, 240 or 480 VAC for Vision & Vision LT
- 120 - 480 for Vision XT
- 50/60 Hz +/- 5%
- Load Profile, Demand & TOU on Vision & Vision XT
- Built on Maxim Teridian Metering IC



### Shipping Weights & Dimensions

- Vision & Vision LT with Polycarbonate Cover
- Single Meter 1.5 Lbs
  - Box of 4 - 7 Lbs
  - Pallet of 120 - 229 Lbs
  - Pallet of 96 - 193 Lbs
- Vision XT with Polycarbonate Cover
- Single Meter 2.4 Lbs
  - Box of 4 - 10.6 Lbs
  - Pallet of 120 - 347 Lbs.
  - Pallet of 96 - 290 Lbs.



Forms	1S	2S	3S	4S	5S	6S	8/9S	12S	15/16S	25S	35S	Notes
Vision LT	X	X										Low cost, kWh, and instant kW
Vision	X	X	X	X				X				Standard platform, kWh, kW, Net metering, reactive, TOU, Load profile, No demand reset
Vision XT	X	X	X	X	X	X	X	X	X	X	X	Fully Loaded, Everything included