

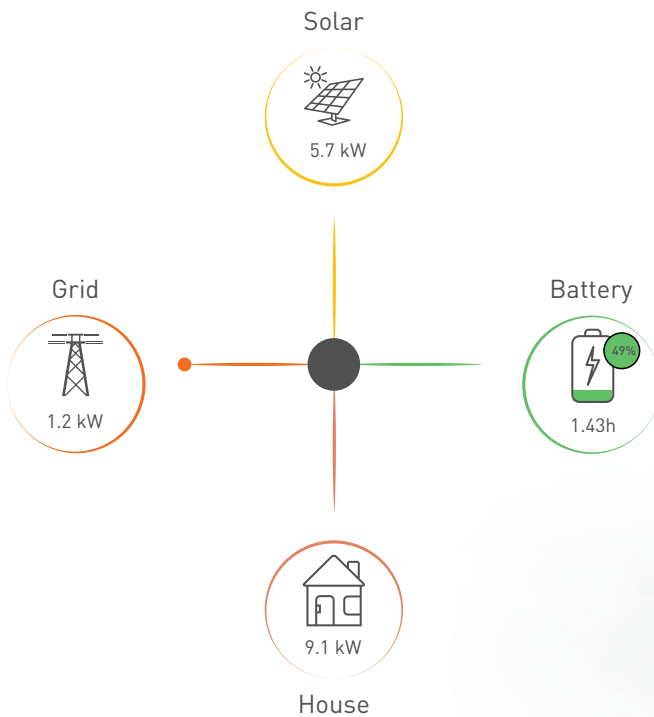
EVAC-105 / EVDC-105 ENERGY STORAGE

EVERVOLT™ HOME ENERGY STORAGE SYSTEM

Optimize your solar investment and create a more resilient energy future. With EverVolt you can store your excess solar power for when you need it most or sell your surplus energy back to your local utility.

FEATURES

- Modular design with storage options from 11-17kWh to fit your needs*
- User friendly app to easily see your system’s performance
- Multiple operating modes
- Three main components for simple installation
- 10-year Panasonic warranty



AC coupled version shown above. DC coupled system available in black only.

*Up to 34 kWh achievable using two battery enclosures. Up to 102 kWh achievable with DC coupled system.

EVAC-105 / EVDC-105 ENERGY STORAGE

MODEL INFORMATION

| Size | Standard | Plus |
|--|------------|------------|
| AC Coupled Model # | EVAC-105-4 | EVAC-105-6 |
| DC Coupled Model # | EVDC-105-4 | EVDC-105-6 |
| Usable Energy ¹ | 11.4 kWh | 17.1 kWh |
| Maximum Continuous Output Power | 4.4 kW | 5.5 kW |
| Average Backup Capability [*] | 6 hours | 9 hours |

¹measured at battery cell level

ELECTRICAL SPECIFICATIONS

| | Off-Grid/Backup | With Grid Support (self-supply/TOU) |
|---|---------------------|-------------------------------------|
| Inverter Maximum Continuous Output Power ² | 5.5 kW ² | 7.0 kW |
| Inverter Peak Output Power [40s / 5s / 1s] | 5.5 / 6.5 / 7.5 kW | -- / 9.6 / -- kW |
| Battery Continuous Output Power | 4.4 kW | 7.2 kW |
| Rated Output Current (RMS) | 23A @120V / 240V | 29A @120V / 240V |
| Nominal AC Voltage | 120V / 240V | |
| Grid Frequency (auto sensing) | 50Hz / 60Hz | |
| Overcurrent Protection Device | 30A | |
| Operating Voltage Range (DC Coupled Only) | 120 - 500 VDC | |
| MPPT Voltage Range (DC Coupled Only) | 250 - 430 VDC | |
| Maximum PV Array Input (DC Coupled Only) | 6.5 kW DC | |
| Nominal DC Battery Voltage | 46.2V | |
| Roundtrip Efficiency (AC Coupled / DC Coupled) | 88% / 89% | |

²Up to 13.2 kW continuous power available using three DC coupled systems. AC coupled stacking coming 2020.

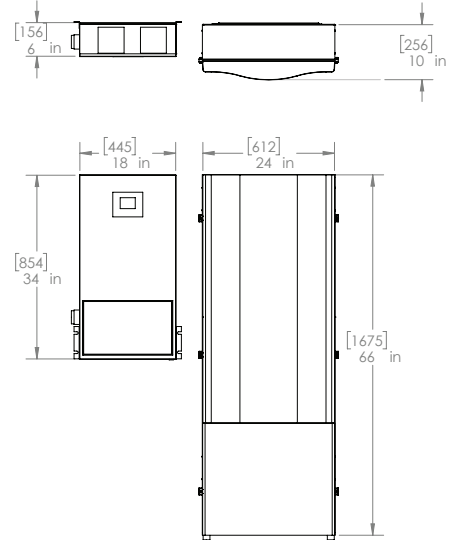
MECHANICAL SPECIFICATIONS

| | | |
|------------------------------------|--|--|
| Inverter Dimensions (HxWxD) | AC Coupled DC Coupled | 33.7 x 18.0 x 6.0 in [856 x 455 x 150 mm] 39 x 17.6 x 5.9 in [990 x 448 x 150 mm] |
| Battery Cabinet Dimensions (HxWxD) | 24.2 x 65.5 x 10 in. [615x1664x245 mm] | |
| Inverter Weight | AC Coupled DC Coupled | 74.0 lbs [33.6 kg] 86.8 lbs [39.4 kg] |
| Battery Cabinet Weight | 106 lbs [48.1 kg] | |
| Battery Module Weight (each) | 55 lbs [25 kg] | |
| Protection Rating | NEMA 1 Indoor | |
| Mounting | Wall | |
| Operating Temperature (charge) | 41°F to 131°F [5°C to 55°C] | |
| Operating Temperature (discharge) | 32°F to 122°F [0°C to 50°C] | |
| Storage Temperature | -13°F to 158°F [-25°C to 70°C] | |
| Max Altitude | 9843 ft. [3000 m] | |

GENERAL SPECIFICATIONS

| | |
|----------------|--|
| Certifications | UL 1741SA, UL 1973, UL 1642, UL 9540, CSA C22.2, IEEE 1547A, IEEE 1547.1, FCC Class B [*] |
| Warranty | 10 years |

DIMENSIONS



^{*}Based on average residential electricity consumption for 2017 (<https://www.eia.gov/tools/faqs/>). Consult your Panasonic Authorized Installer for a custom site analysis, as electricity consumption can vary widely based on home size, climate, and the number of energy intensive appliances such as air conditioners and EV chargers.