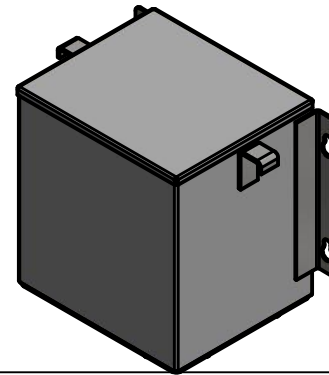
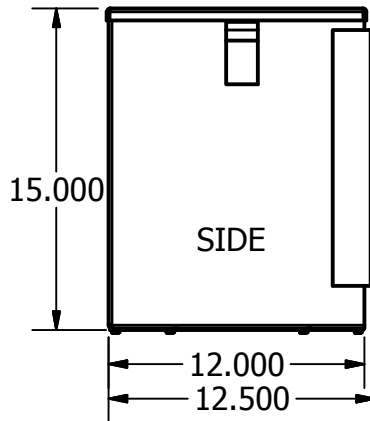
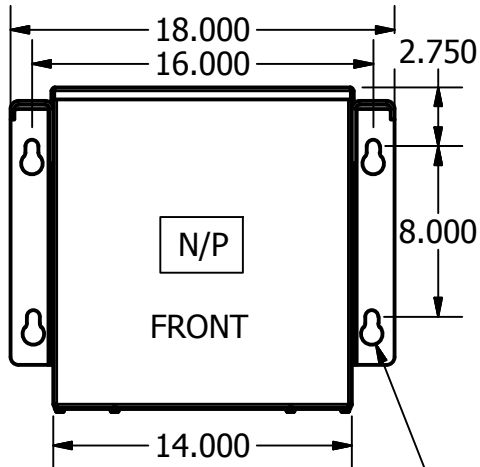


2

1

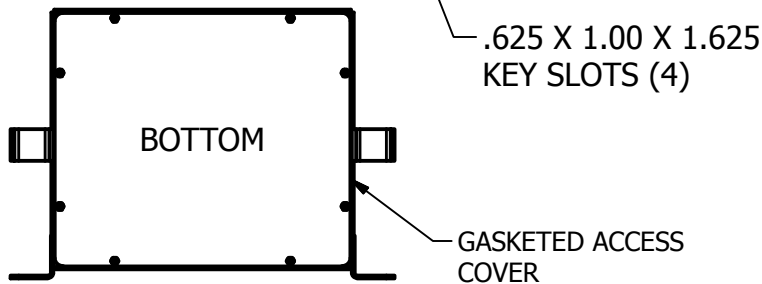


APPROVED  
 APPROVED WITH CHANGES  
 COMPANY/BY \_\_\_\_\_  
 DATE \_\_\_\_\_

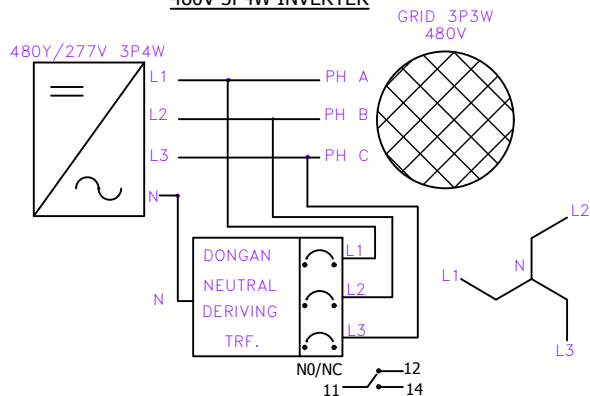
RELEASED

THREE PHASE ZIGZAG CONNECTED AUTO TRANSFORMER TO DERIVE A NEUTRAL ON 480V THREE WIRE SYSTEM. THIS TRANSFORMER IS NOT TO BE USED TO POWER ANY THREE OR SINGLE PHASE LOADS.

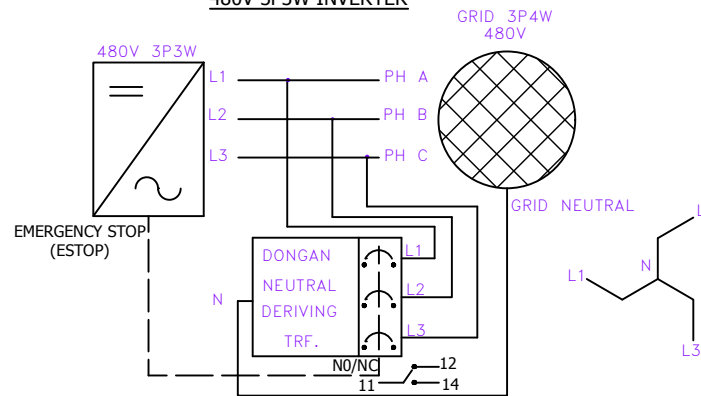
ENCLOSURE STYE: AIR COOLED, EPOXY ENCAPSULATED  
 NEMA RATING: TYPE 3R  
 WEIGHT (LBS): 185  
 SYSTEM VOLTAGE: 480V THREE PHASE 3 WIRE  
 FREQUENCY: 60 HZ  
 INSULATION CLASS: 200°C  
 MAXIMUM AMBIENT TEMPERATURE: 60°C  
 AGENCY APPROVALS: UL, cUL, RoHS  
 APPLICATION: NEUTRAL DERIVATION ON 480V THREE PHASE 3W SYSTEMS  
 POWDER COAT COLOR: RAL 7035 (LIGHT GRAY)  
 TERMINATION: LINES - CIRCUIT BREAKER (SCREW TERMINALS) #14-#4 AWG  
 NEUTRAL & PE - DEAD FRONT (SPRING CAGE) #20-#4 AWG  
 OVERCURRENT PROTECTION: 10A, 3 POLE CIRCUIT BREAKER INSIDE WIRING COMPARTMENT  
 AUX. CONTACTS: 1 NO/NC 2A/277V AC OR 1.5A/125V DC FOR EMERGENCY STOP ON INVERTERS  
 WARRANTY: 5 YEARS FROM DATE OF MANUFACTURE AGAINST MATERIAL OR MANUFACTURING DEFECTS ONLY (90 DAYS INSTALLATION ALLOWANCE)



480V 3P4W INVERTER



480V 3P3W INVERTER



IF THIS TRANSFORMER IS USED FOR EFFECTIVE GROUNDING THEN THE FOLLOWING PARAMETERS APPLY:

SYSTEM VOLTAGE: 480V 3 PHASE  
 CONTINUOUS NEUTRAL CURRENT: 30A MAX.  
 ZERO SEQUENCE REACTANCE X0: 0.33 OHMS ±10%  
 X0/R0>0.25



TITLE **OUTLINE DRAWING-3 PH NEUTRAL DERIVING TRANSFORMER** REF: **EN-689**

<b>DONGAN ELECTRIC MFG. CO.</b> DETROIT, MI USA www.dongan.com	ALL DIMENSIONS IN INCHES DIM FOR REFERENCE ONLY UNLESS A TOLERANCE IS NOTED NEXT TO THE DIMENSION		REV G		REV J		DRAWN BY <b>CL</b>	DATE CREATED <b>3/4/2015</b>	CKD BY
	SCALE <b>1/9</b>		REV F	6/19/17 ADD NO/NC & EFFECTIVE GRDG INFO, CL	REV I		PART NUMBER <b>76-5K-ASTPZZ5</b>		DWG. NUMBER <b>OUT-9033-5</b>
			REV E	11/22/16 REDRAW INVENTOR SEE OBS FOR REV'S CL	REV H				

2

1