

Three Phase - General Purpose

Three Phase: 3 kVA - 9 kVA Epoxy Encapsulated Series 76 ISO-Shield

Features



- Electrostatic shield between primary and secondary windings provides cleaner output voltage and helps to reduce spikes and transients.
- Epoxy-silica encapsulated core and coil provides a transformer particularly well suited for harsh commercial and industrial applications.
- Copper windings and copper lead wire terminations used throughout.
- UL Class 180°C insulation system with a 115°C temperature rise at a maximum ambient of 40°C.
- NEMA Type 3R, wall mount enclosure suitable for indoor or outdoor use. No extra rainshields required for outdoor use.
- Multiple knockouts provide convenient conduit



3 - 9 kVA

- entry and exit locations through the front and bottom access wiring compartment covers.
- Ground studs provided for bonding compatibility with both metallic and nonmetallic conduit.
- Nonstandard designs are available by consulting the factory or your Dongan® representative.

Three Phase: 15 kVA - 150 kVA Ventilated Series 63 ISO-Shield

Features



- Electrostatic shield between primary and secondary windings provides cleaner output voltage and helps to reduce spikes and transients.
- Aluminum windings connect to bus bar style terminations equipped with NEMA standard holes for compression style or ring terminals.
- UL Class 220°C insulation system with 150°C temperature rise at full load and a maximum ambient of 40°C.
- NEMA Type 3R, ventilated, cabinet style, floor mount enclosure suitable for indoor or outdoor use. No extra rainshields required for outdoor use.
- Vibration dampening pads provide quiet operation.
- Wall Mounting brackets are available in sizes up



15 - 150 kVA

- to 75 kVA.
- Ground studs provided for bonding compatibility with both metallic and nonmetallic conduit.
- Core and coil and nonstandard designs are available by consulting the factory or your Dongan® representative.

Three Phase: 3 kVA - 9 kVA Ventilated

Features



- Copper windings and copper lead wire terminations used throughout.
- UL Class 180°C insulation system with a 115°C temperature rise at a maximum ambient of 40°C.
- NEMA Type 3R, wall mount enclosure suitable for vertical mount in indoor or outdoor applications. No extra rainshields required for outdoor use.
- Multiple knockouts provide convenient conduit entry and exit locations through the side and back of the wiring compartment.
- Ground studs provided for bonding compatibility with both metallic and nonmetallic conduit.
- Slim profile provides convenient mounting for space limited areas.

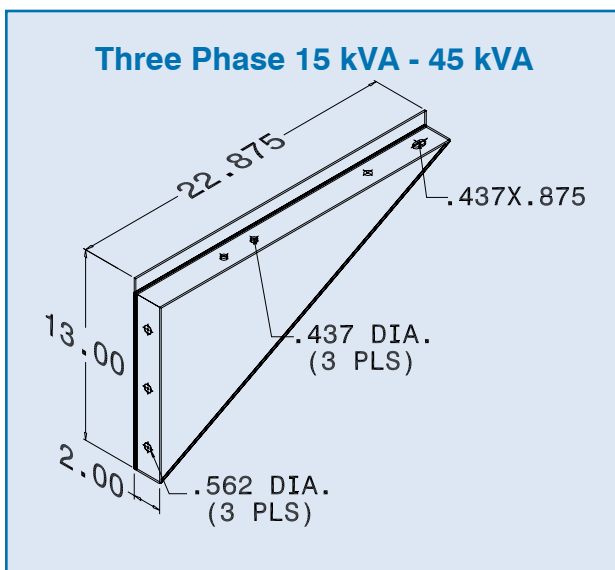


3 - 9 kVA

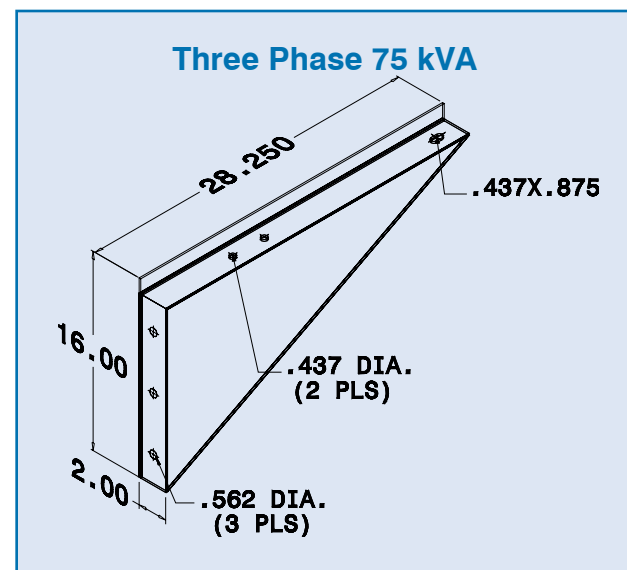
- Neutral (X0) provided on three phase, 4 wire transformers.

Three Phase: 15 kVA - 75 kVA

63 Series Optional Wall Mounting Brackets



Catalog No. BR - 890



Catalog No. BR - 892

Three Phase - General Purpose

**Primary Volts 480 Delta,
Secondary Volts 240 Delta, 60 Hz**
May be used on a 480Y / 277 Volt Supply

General Information			Winding Specifications				Dimensions			
kVA* Cap.	Catalog Number	Wgt. Lbs	Taps	Maximum Amps		Conn Dia. Pg. 32	Height A	Width B	Depth C	Outline Dwg.
				Pri.	Sec.					
3.0	76-0203SH	140	0	3.6	7.2	2	14.00	16.00	7.75	1
6.0	76-0206SH	212	0	7.2	14.4	2	18.00	20.00	9.50	1
9.0	76-0209SH	265	0	10.8	21.6	2	18.00	20.00	9.50	1
15.0	43-6215SH**	230	6	18	36	3	23.50	18.88	18.50	2
25.0	43-6225SH**	255	6	30	60	3	29.00	24.25	20.88	2
30.0	43-6230SH**	326	6	36	72	3	29.00	24.25	20.88	2
45.0	43-6245SH**	460	6	54	108	3	29.00	24.25	20.88	2
75.0	43-6275SH**	722	6	90	180	3	32.00	27.25	26.25	2
112.5	43-62112SH**	1001	6	135	270	3	41.00	34.25	26.75	2
150.0	43-62150SH**	1255	6	180	361	3	41.00	34.25	26.75	2

*Transformers 15 kVA through 150 kVA are equipped with a 120 volt lighting tap. Lighting tap capacity is limited to 5% of nameplate rating distributed equally on either side of XO.

** Meets DOE TP-1 requirements

**Primary Volts 480 Delta,
Secondary Volts 208Y / 120, 60 Hz**
May be used on a 480Y / 277 Volt Supply

General Information			Winding Specifications				Dimensions			
kVA Cap.	Catalog Number	Wgt. Lbs	Taps	Maximum Amps		Conn Dia. Pg. 32	Height A	Width B	Depth C	Outline Dwg.
				Pri.	Sec.					
3.0	76-0303SH	140	0	3.6	8.3	5	14.00	16.00	7.75	1
6.0	76-0306SH	212	0	7.2	16.6	5	18.00	20.00	9.50	1
9.0	76-0309SH	265	0	10.8	25	5	18.00	20.00	9.50	1
15.0	43-6315SH*	230	6	18	41	6	23.50	18.88	18.50	2
25.0	43-6325SH*	255	6	30	69	6	29.00	24.25	20.88	2
30.0	43-6330SH*	326	6	36	83	6	29.00	24.25	20.88	2
45.0	43-6345SH*	460	6	54	125	6	29.00	24.25	20.88	2
75.0	43-6375SH*	722	6	90	208	6	32.00	27.25	26.25	2
112.5	43-63112SH*	1001	6	135	312	6	41.00	34.25	26.75	2
150.0	43-63150SH*	1255	6	180	416	6	41.00	34.25	26.75	2

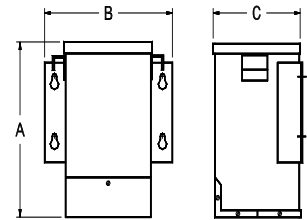
* Meets DOE TP-1 requirements

Connection Diagrams may be found on Pg. 32

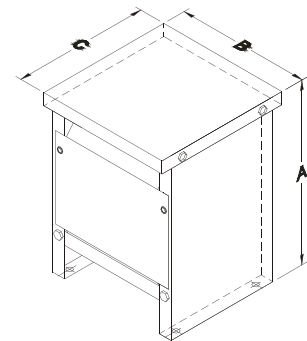
Tap Configurations:

- 0 = No Taps
- 2 = 1 - 5% FCAN, 1 - 5% FCBN
- 4 = 2 - 2½% FCAN, 2 - 2½% FCBN
- 6 = 2 - 2½% FCAN, 4 - 2½% FCBN

Dimensions & weights may change. Consult factory for certified drawings.



Drawing 1
3 - 9 kVA
Wall Mount - Encapsulated - NEMA Type 3R



Drawing 2
15 - 150 kVA
Floor Mount - Ventilated - NEMA Type 3R

Three Phase - General Purpose

Primary 600 Delta, Secondary 240 Delta, 60 Hz

General Information			Winding Specifications				Dimensions			
kVA* Cap.	Catalog Number	Wgt. Lbs	Taps	Maximum Amps		Conn Dia. Pg. 33	Height A	Width B	Depth C	Outline Dwg.
				Pri.	Sec.					
3.0	76-01003SH	140	0	2.8	7.2	9	14.00	16.00	7.75	1
6.0	76-01006SH	212	0	5.7	14.4	9	18.00	20.00	9.50	1
9.0	76-01009SH	265	0	8.6	21.6	9	18.00	20.00	9.50	1
15	43-61015SH**	230	6	14.4	36.1	10	23.50	18.88	18.50	2
25	43-61025SH**	255	6	24.0	60	10	29.00	24.25	20.88	2
30	43-61030SH**	326	6	28.9	72	10	29.00	24.25	20.88	2
45	43-61045SH**	460	6	43.3	108	10	29.00	24.25	20.88	2
75	43-61075SH**	722	6	72	180	10	32.00	27.25	26.25	2
112.5	43-610112SH**	1001	6	108	270	10	41.00	34.25	26.75	2
150	43-610150SH**	1255	6	144	361	10	41.00	34.25	26.75	2

*Transformers 15 kVA through 150 kVA are equipped with a 120 volt lighting tap. Lighting tap capacity is limited to 5% of nameplate rating distributed equally on either side of XO.
** Meets DOE TP-1 requirements

Primary 600 Delta, Secondary 208Y / 120, 60 Hz

General Information			Winding Specifications				Dimensions			
kVA Cap.	Catalog Number	Wgt. Lbs	Taps	Maximum Amps		Conn Dia. Pg. 33	Height A	Width B	Depth C	Outline No.
				Pri.	Sec.					
3.0	76-0003SH	140	0	2.8	8.3	11	14.00	16.00	7.75	1
6.0	76-0006SH	212	0	5.7	16.6	11	18.00	20.00	9.50	1
9.0	76-0009SH	265	0	8.6	25	11	18.00	20.00	9.50	1
15	43-6015SH*	230	6	14.4	41.6	12	23.50	18.88	18.50	2
25	43-6025SH*	255	6	24.0	69	12	29.00	24.25	20.88	2
30	43-6030SH*	326	6	28.9	83	12	29.00	24.25	20.88	2
45	43-6045SH*	460	6	43.3	125	12	29.00	24.25	20.88	2
75	43-6075SH*	722	6	72	208	12	32.00	27.25	26.25	2
112.5	43-60112SH*	1001	6	108	312	12	41.00	34.25	26.75	2
150	43-60150SH*	1255	6	144	416	12	41.00	34.25	26.75	2

* Meets DOE TP-1 requirements

Primary 240 Delta, Secondary 208Y / 120, 60 Hz

General Information			Winding Specifications				Dimensions			
kVA Cap.	Catalog Number	Wgt. Lbs	Taps	Maximum Amps		Conn Dia. Pg. 33	Height A	Width B	Depth C	Outline Dwg.
				Pri.	Sec.					
3.0	76-0603SH	140	0	7.2	8.3	7	14.00	16.00	7.75	1
6.0	76-0606SH	212	0	14.4	16.6	7	18.00	20.00	9.50	1
9.0	76-0609SH	265	0	21.6	25	7	18.00	20.00	9.50	1
15	43-6615SH*	230	6	36.1	41	8	23.50	18.88	18.5	2
25	43-6625SH*	255	6	60	69	8	29.00	24.25	20.88	2
30	43-6630SH*	326	6	72	83	8	29.00	24.25	20.88	2
45	43-6645SH*	460	6	108	125	8	29.00	24.25	20.88	2

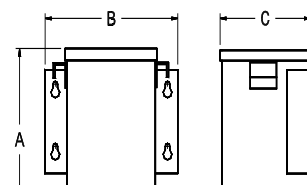
* Meets DOE TP-1 requirements

Connection Diagrams may be found on Pg. 33

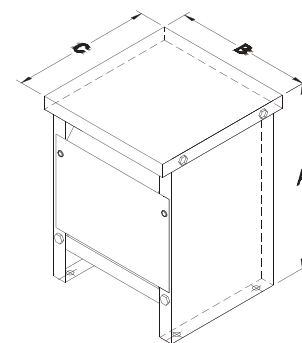
Tap Configurations:

0 = No Taps
2 = 1 - 5% FCAN, 1 - 5% FCBN
4 = 2 - 2½% FCAN, 2 - 2½% FCBN
6 = 2 - 2½% FCAN, 4 - 2½% FCBN

Dimensions & weights may change. Consult factory for certified drawings.



Drawing 1
3 - 9 kVA
Wall Mount - Encapsulated - NEMA Type 3R



Drawing 2
15 - 150 kVA
Floor Mount - Ventilated - NEMA Type 3R

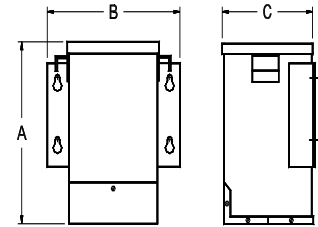
Three Phase - General Purpose

Ventilated Scott Connected

**Primary Volts 480 Delta,
Secondary Volts 240 Delta, 60 Hz**

May be used on a 480Y / 277 Volt Supply

General Information			Winding Specifications				Dimensions			
kVA Cap.	Catalog Number	Wgt. Lbs	Taps	Maximum Amps		Conn Dia. Pg. 32	Height A	Width B	Depth C	Outline Dwg.
				Pri.	Sec.					
3.0	63-0203	65	0	3.6	7.2	1	15.75	6.63	5.88	3
6.0	63-0206	98	0	7.2	14.4	1	20.25	7.69	6.75	3
9.0	63-0209	164	0	10.8	21.6	1	25.63	7.69	6.75	3

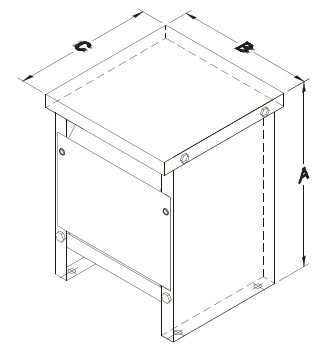


Drawing 1
3 - 9 kVA
Wall Mount - Encapsulated -
NEMA Type 3R

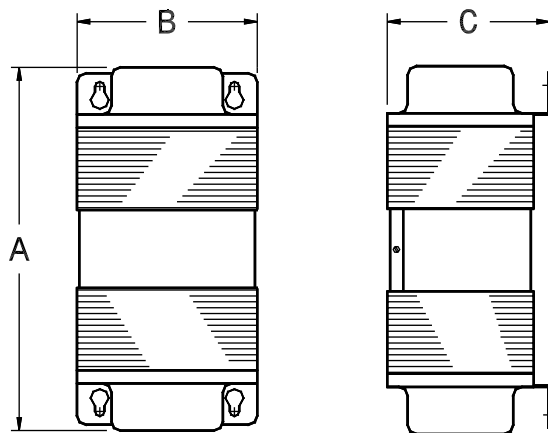
**Primary Volts 480 Delta,
Secondary Volts 208Y / 120, 60 Hz**

May be used on a 480Y / 277 Volt Supply

General Information			Winding Specifications				Dimensions			
kVA Cap.	Catalog Number	Wgt. Lbs	Taps	Maximum Amps		Conn Dia. Pg. 32	Height A	Width B	Depth C	Outline Dwg.
				Pri.	Sec.					
3.0	63-0303	65	0	3.6	8.3	4	15.75	6.63	5.88	3
6.0	63-0306	98	0	7.2	16.6	4	20.25	7.69	6.75	3
9.0	63-0309	164	0	10.8	25.0	4	25.63	7.69	6.75	3



Drawing 2
15 - 150 kVA
Floor Mount - Ventilated - NEMA Type 3R



Drawing 3
3 - 9 kVA, Scott Connected
Wall Mount - Ventilated - NEMA Type 3R

Connection Diagrams may be found on Pg. 32

Tap Configurations:

- 0 = No Taps
- 2 = 1 - 5% FCAN, 1 - 5% FCBN
- 4 = 2 - 2½% FCAN, 2 - 2½% FCBN
- 6 = 2 - 2½% FCAN, 4 - 2½% FCBN

Dimensions & weights may change. Consult factory for certified drawings.

Three Phase - General Purpose

Additional voltage combinations available



General Information								
Pri.	208 Δ	208 Δ	380 Δ	380 Δ	380 Δ	400 Δ	Wgt. (lbs) 60 Hz.	Outline Dwg.
Sec.	208Y/120	480Y/277	208Y/120	240 Δ	480 Δ	220Y/127		
Hz.	60	60	50/60*	50/60	50/60	50/60		
kVA Cap.	Catalog Number	Catalog Number	Catalog Number	Catalog Number	Catalog Number	Catalog Number		
3	76-3-1161SH	76-3-704SH	76-3-407	76-3-594	76-3-834	76-3-2993	140	1
6	76-6-1161SH	76-6-704SH	76-6-407	76-6-594	76-6-834	76-6-2993	212	1
9	76-9-1161SH	76-9-704SH	76-9-407	76-9-594	76-9-834	76-9-2993	265	1
15	43-15-615SH*	43-15-565SH*	63-15-407	63-15-594	63-15-834	63-15-2993	230	2
30	43-30-615SH*	43-30-565SH*	63-30-407	63-30-594	63-30-834	63-30-2993	S/B 236	2
45	43-45-615SH*	43-45-565SH*	63-45-407	63-45-594	63-45-834	63-45-2993	S/B 400	2
75	43-75-615SH*	43-75-565SH*	63-75-407	63-75-594	63-75-834	63-75-2993	722	2
112.5	43-112-615SH*	43-112-565SH*	63-112-407	63-112-594	63-112-834	63-112-2993	1001	2
150	43-150-615SH*	43-150-565SH*	63-150-407	63-150-594	63-150-834	63-150-2993	1255	2

* Meets DOE TP-1 requirements

General Information								
Pri.	415 Δ	415 Δ	480 Δ	600 Δ	600 Δ	400 Δ	Wgt. (lbs) 60 Hz.	Outline Dwg.
Sec.	208Y/120	240 Δ	480Y/277	380Y/220	480Y/277	600Y/347		
Hz.	50/60*	50/60*	60	60	60	50/60*		
kVA Cap.	Catalog Number	Catalog Number	Catalog Number	Catalog Number	Catalog Number	Catalog Number		
3	76-3-3117	76-3-730	76-3-264SH	76-3-1937	76-3-2995SH	76-3-2996	140	1
6	76-6-3117	76-6-730	76-6-264SH	76-6-1937	76-6-2995SH	76-6-2996	212	1
9	76-9-3117	76-9-730	76-9-264SH	76-9-1937	76-9-2995SH	76-9-2996	265	1
15	63-15-3117	63-15-730	43-15-512SH*	43-15-1937*	43-15-1354SH*	63-15-2996	230	2
30	63-30-3117	63-30-730	43-30-512SH*	43-30-1937*	43-30-1354SH*	63-30-2996	326	2
45	63-45-3117	63-45-730	43-45-512SH*	43-45-1937*	43-45-1354SH*	63-45-2996	460	2
75	63-75-3117	63-75-730	43-75-512SH*	43-75-1937*	43-75-1354SH*	63-75-2996	722	2
112.5	63-112-3117	63-112-730	43-112-512SH*	43-112-1937*	43-112-1354SH*	63-112-2996	1001	2
150	63-150-3117	63-150-730	43-150-512SH*	43-150-1937*	43-150-1354SH*	63-150-2996	1255	2

50/60 Hz. units are approximately 20% heavier than 60 Hz. unit weights shown.

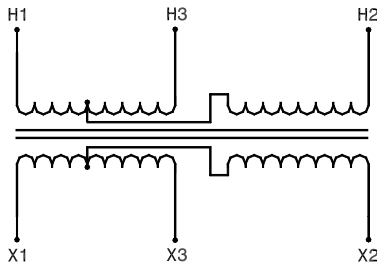
* Meets DOE TP-1 requirements

**Connection Diagrams furnished upon request.
Please consult the factory or your Dongan® Representative
for price, delivery and dimensions.**

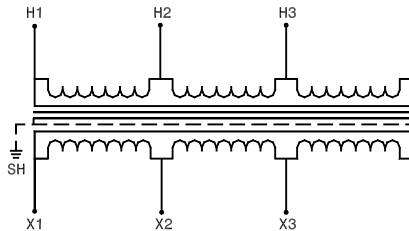
Dongan® specializes in rapid delivery of nonstandard kVA, voltage and tap configurations. Send us your request today for a competitive quote on transformers not specifically listed in this catalog.

Three Phase Connection Diagrams

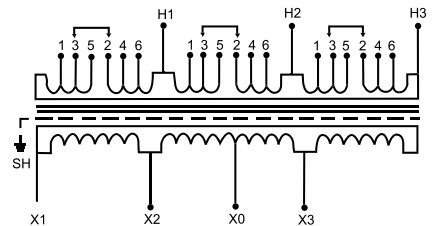
Dia. 1		Catalog Series 63-02XX	
Tap Arrangement: No Taps			
% High Voltage	High Voltage 480	Inter-Connect	Connect High Voltage Lines To
100	480		H1 & H2 & H3
% Low Voltage	Low Voltage 240	Inter-Connect	Connect Low Voltage Lines To
100	240		X1 & X2 & X3



Dia. 2		Catalog Series 76-02XXSH	
Tap Arrangement: No Taps			
% High Voltage	High Voltage 480	Inter-Connect	Connect High Voltage Lines To
100	480		H1 & H2 & H3
% Low Voltage	Low Voltage 240	Inter-Connect	Connect Low Voltage Lines To
100	240		X1 & X2 & X3

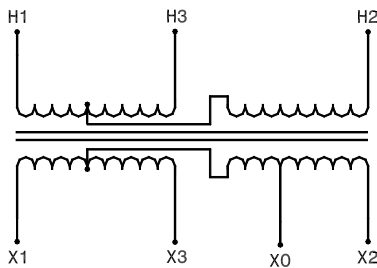


Dia. 3		Catalog Series 63-62XXSH	
Tap Arrangement: 2 - 2 1/2 FCAN (Full Capacity Above Normal) 4 - 2 1/2 FCBN (Full Capacity Below Normal)			
% High Voltage	High Voltage 480	Inter-Connect	Connect High Voltage Lines To
105	504	2 to 5	
102.5	492	4 to 5	
100	480	2 to 3	
97.5	468	3 to 4	H1 & H2 & H3
95	456	3 to 6	
92.5	444	1 to 4	
90	432	1 to 6	
% Low Voltage	Low Voltage 240	Inter-Connect	Connect Low Voltage Lines To
100	240		X1 & X2 & X3
100	120*		X2, X0 or X3, X0

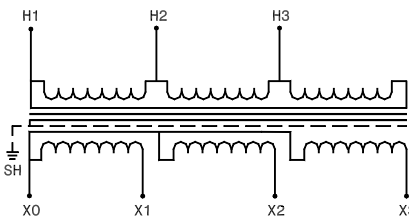


*Lighting tap capacity is limited to 5% of nameplate rating distributed equally on either side of X0.

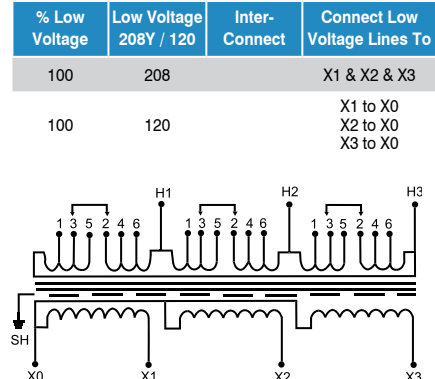
Dia. 4		Catalog Series 63-03XX	
Tap Arrangement: No Taps			
% High Voltage	High Voltage 480	Inter-Connect	Connect High Voltage Lines To
100	480		H1 & H2 & H3
% Low Voltage	Low Voltage 208Y / 120	Inter-Connect	Connect Low Voltage Lines To
100	208		X1 & X2 & X3
100	120		X1 to X0 X2 to X0 X3 to X0



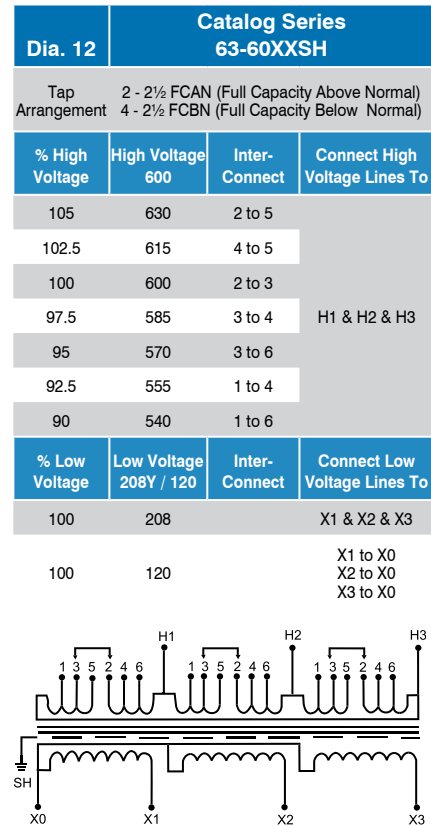
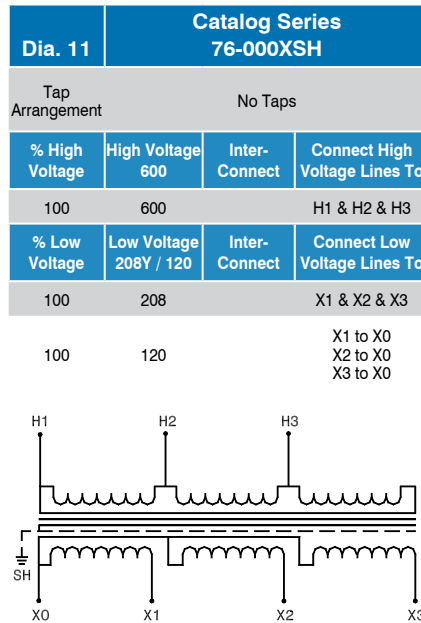
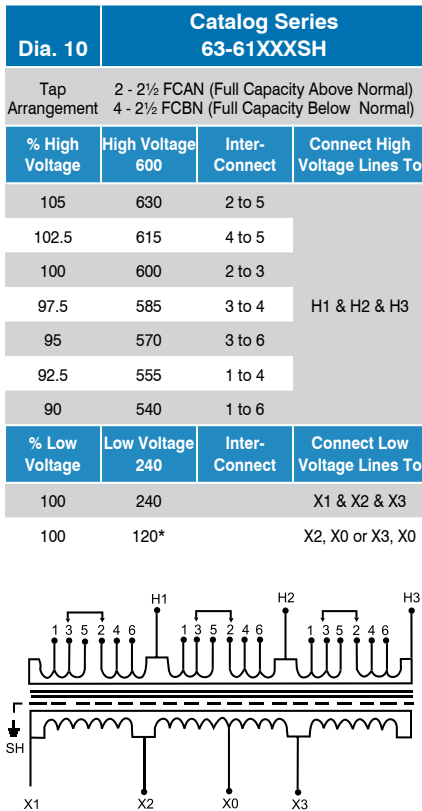
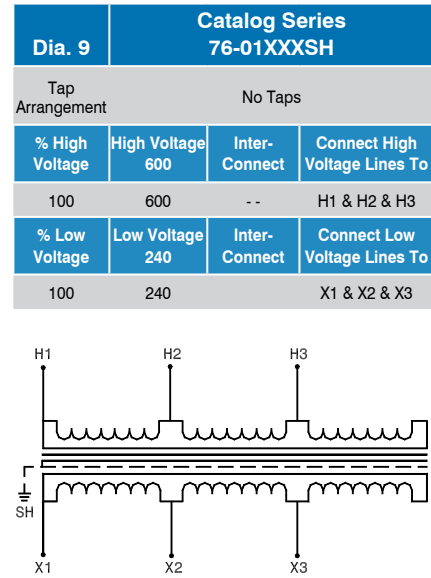
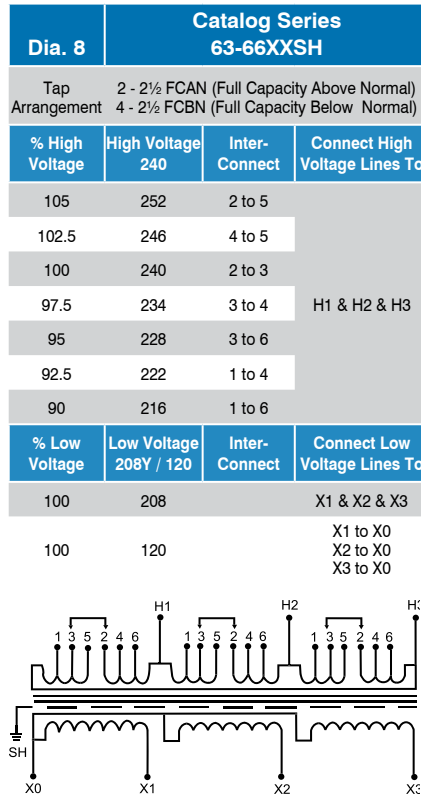
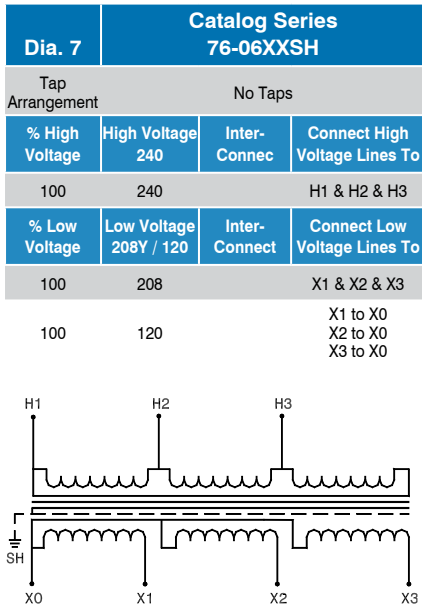
Dia. 5		Catalog Series 76-03XXSH	
Tap Arrangement: No Taps			
% High Voltage	High Voltage 480	Inter-Connect	Connect High Voltage Lines To
100	480		H1 & H2 & H3
% Low Voltage	Low Voltage 208Y / 120	Inter-Connect	Connect Low Voltage Lines To
100	208		X1 & X2 & X3
100	120		X1 to X0 X2 to X0 X3 to X0



Dia. 6		Catalog Series 63-63XXSH	
Tap Arrangement: 2 - 2 1/2 FCAN (Full Capacity Above Normal) 4 - 2 1/2 FCBN (Full Capacity Below Normal)			
% High Voltage	High Voltage 480	Inter-Connect	Connect High Voltage Lines To
105	504	2 to 5	
102.5	492	4 to 5	
100	480	2 to 3	
97.5	468	3 to 4	H1 & H2 & H3
95	456	3 to 6	
92.5	444	1 to 4	
90	432	1 to 6	



Three Phase Connection Diagrams



*Lighting tap capacity is limited to 5% of nameplate rating distributed equally on either side of X0.

Three Phase - General Purpose

Series 76 - Large capacity encapsulated transformers

Series 76 Three Phase Isolation Transformers offer all the advantages of encapsulated transformers - in larger kVA sizes. These transformers are particularly well suited to harsher environments where airborne contaminants may adversely effect ventilated, dry type transformers.

Available in 600 and 480 volt primaries, these transformers feature a 115°C temperature rise, 200°C insulation system, electrostatic shields, and copper windings. The core and coil are completely epoxy-silica encapsulated for protection against environmental contaminants.

Transformers in this series are available in additional voltage combinations and NEMA Type 4, stainless steel enclosures for petrochemical or marine applications. Consult your Dongan® Representative or the factory for price and delivery.

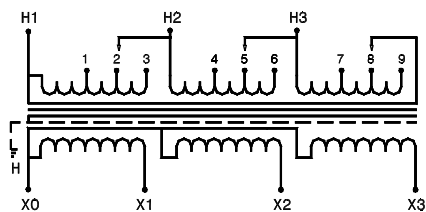
Features



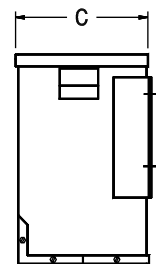
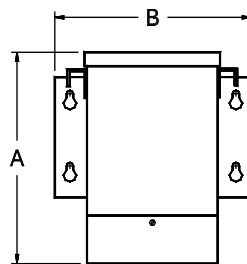
- NEMA Type 3R, indoor / outdoor enclosure.
- Copper wound, 115°C temperature rise.
- Epoxy-silica encapsulated construction.
- Featuring three phase 600 or 480 volt Delta primary windings with a secondary winding of 208Y/120.
- Special order options include stainless steel enclosures.

General Information				Winding Specifications				Dimensions				
kVA Cap.	Pri. 600 Δ	Pri. 480 Δ	Hz.	Taps	Maximum Amps			Wall Mount (WM) Floor Mount (FM)	Height A	Width B	Depth C	Wgt. (lbs)
	Sec. 208Y/120	Sec. 208Y/120			Pri. 600 D	Pri. 480 D	Sec. 208Y/120					
	Catalog No.	Catalog No.										
15	76-2015SH	76-2315SH	60	2	14.4	18.0	41.6	WM	18.00	20.00	9.50	220
25	76-2025SH	76-2325SH	60	2	24.0	30.0	69.3	FM	27.50	20.75	19.50	380
30	76-2030SH	76-2330SH	60	2	28.9	36.1	83.0	FM	27.50	20.75	19.50	425
45	76-2045SH	76-2345SH	60	2	43.3	54.0	125.0	FM	27.50	20.75	19.50	550
75	76-2075SH*	76-2375SH	60	2	72.0	90.0	208	FM	34.75	34.00	23.00	950

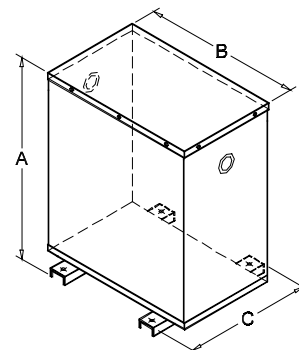
*75 kVA is not UL Listed.



Wiring Diagram - 76 Series



15 kVA
Wall Mount -
Encapsulated - NEMA Type 3R



25 - 75 kVA
Floor Mount - Encapsulated - NEMA Type 3R

Three Phase - General Purpose

Series LTF & LTH - Low temperature rise, 80°C and 115°C

Series LTF and LTH Transformers are three phase, low temperature rise, air cooled, general purpose distribution transformers. These transformers feature either an 80°C temperature rise or a 115°C temperature rise with a 220°C insulation system and all are shielded. They are designed for applications where cool operating temperatures or thermal overload requirements are demanded.

Thermal overload capability of 15% to 30% is built in because these units are designed to operate with a maximum rise of 150°C. This means units with an 80°C rise have a 70°C thermal reserve and units with a 115°C rise have a 35°C thermal reserve. These features insure a long life where moderate thermal or capacity overloads exist.

Features



- NEMA Type 3R, indoor / outdoor enclosure.
- 80°C and 115°C temperature rise units.
- 220°C Insulation system.
- Featuring three phase, 480 volt Delta primary windings with a secondary winding of 208Y/120.
- Special order options include 600 and 240 volt primaries.
- 60 Hertz.

Connection Diagrams may be at bottom of page.

Tap Configurations:

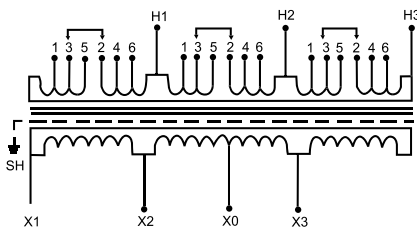
0 = No Taps
2 = 1 - 5% FCAN, 1 - 5% FCBN
4 = 2 - 2½% FCAN, 2 - 2½% FCBN
6 = 2 - 2½% FCAN, 4 - 2½% FCBN

Dimensions & weights may change. Consult factory for certified drawings.

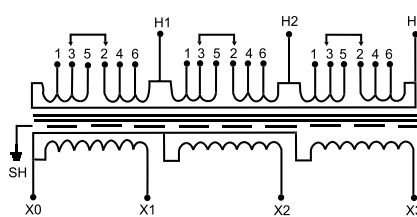
General Information

kVA Cap.	Pri. 480 Δ	Pri. 480 Δ	Height A	Width B	Depth C	Wgt. (lbs)	Taps	Pri. 480 Δ	Pri. 480 Δ	Height A	Width B	Depth C	Wgt. (lbs)	Taps
	Sec. 240 Δ	Sec. 208Y/120						Sec. 240 Δ	Sec. 208Y/120					
	Catalog No.	Catalog No.						Catalog No.	Catalog No.					
9	63-LTF209SH	63-LTF309SH	29.00	24.25	20.88	280	6	63-LTH209SH	63-LTH309SH	23.50	18.88	18.50	245	6
15	43-LTF215SH*	43-LTF315SH*	29.00	24.25	20.88	300	6	43-LTH215SH*	43-LTH315SH*	29.00	24.25	20.88	280	6
25	43-LTF225SH*	43-LTF325SH*	29.00	24.25	20.88	450	6	43-LTH225SH*	43-LTH325SH*	29.00	24.25	20.88	300	6
30	43-LTF230SH*	43-LTF330SH*	32.00	27.25	26.25	580	6	43-LTH230SH*	43-LTH330SH*	29.00	24.25	20.88	450	6
45	43-LTF245SH*	43-LTF345SH*	41.00	34.25	26.75	1000	6	43-LTH245SH*	43-LTH345SH*	32.00	27.25	26.25	580	6
75	43-LTF275SH*	43-LTF375SH*	41.00	34.25	26.75	1200	6	43-LTH275SH*	43-LTH375SH*	41.00	34.25	26.75	1000	6
112.5								43-LTH2112SH*	43-LTH3112SH*	41.00	34.25	26.75	1200	6
80° Rise								115°C Rise						

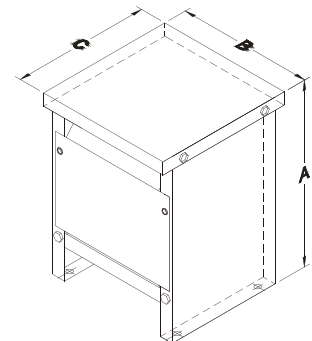
* Meets DOE TP-1 requirements



Wiring Diagram -
480 Delta, 240 Delta



Wiring Diagram -
480 Delta, 208Y/120



Series LTF & LTH
Floor Mount - Ventilated - NEMA Type 3R

*Lighting tap capacity is limited to 5% of nameplate rating distributed equally on either side of X0.